

**ATARI® PC
FLOPPY AND
HARD DISK DRIVES**

Owner's Manual

Every effort has been made to ensure the accuracy of the product documentation in this manual. However, because Atari Corporation is constantly improving and updating its computer hardware and software, it is unable to guarantee the accuracy of printed material after the date of publication and disclaims liability for changes, errors, or omissions.

Atari® and the Atari logo are trademarks or registered trademarks of Atari Corporation.

Reproduction of all or any portions of this manual is not allowed without the specific written consent of Atari Corporation.



Copyright © 1988, Atari Corporation
Sunnyvale, CA 94086
All rights reserved.

TABLE OF CONTENTS

INTRODUCTION	1
DISK DRIVE CABLE CONNECTIONS	1
Floppy Disk Drive	1
Hard Disk Drive	2
FLOPPY DISK DRIVE SPECIFICATIONS	2
Floppy Disk Controller Connector Pinout	3
HARD DISK DRIVE SPECIFICATIONS	4
Hard Disk Controller Connector Pinout	5
Hard Disk Data Connector Pinout	6

Introduction

The Atari PC floppy and hard disk drives are fast, reliable drives that come fully installed and configured in your Atari PC computer. Offering the latest in disk drive technology, the Atari PC disk drives will provide you with long service.

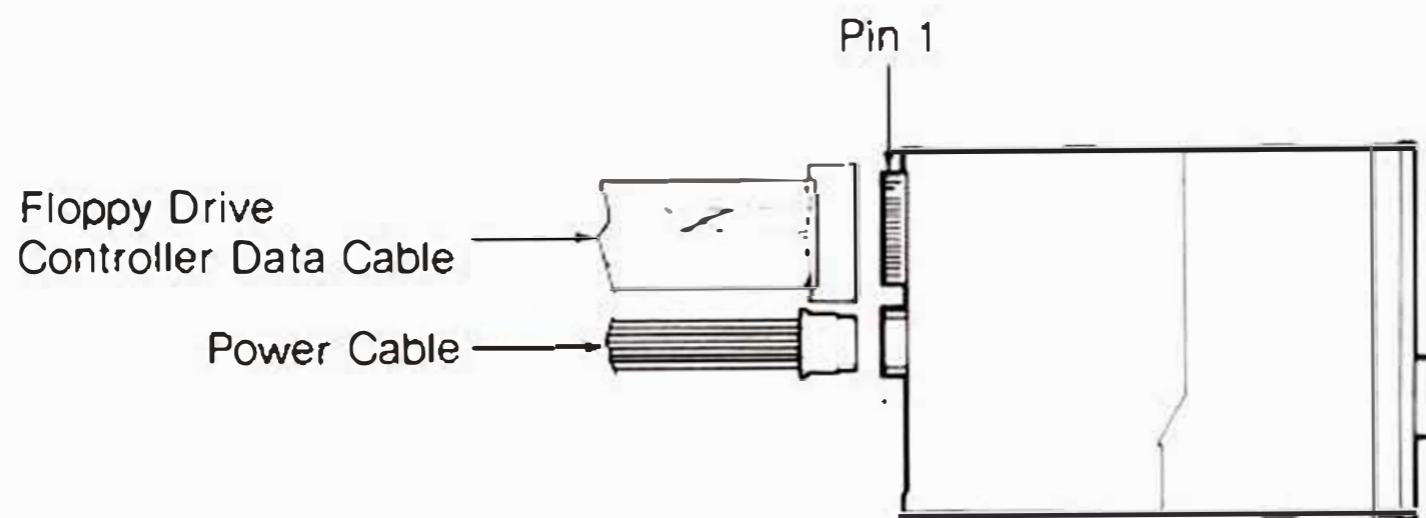
This manual shows how to disconnect and connect disk controller board and power supply cables to the hard and floppy disk drives. Unless you need to reconnect a drive (for example, if you move or change the disk controller board), or want to see drive specifications, you do not need to read this manual.

Disk Drive Cable Connections

In order to connect cables to your disk drives, you must remove the computer's cover and partially remove the drives. If you need information on removing the cover or drives, see your PC owner's manual.

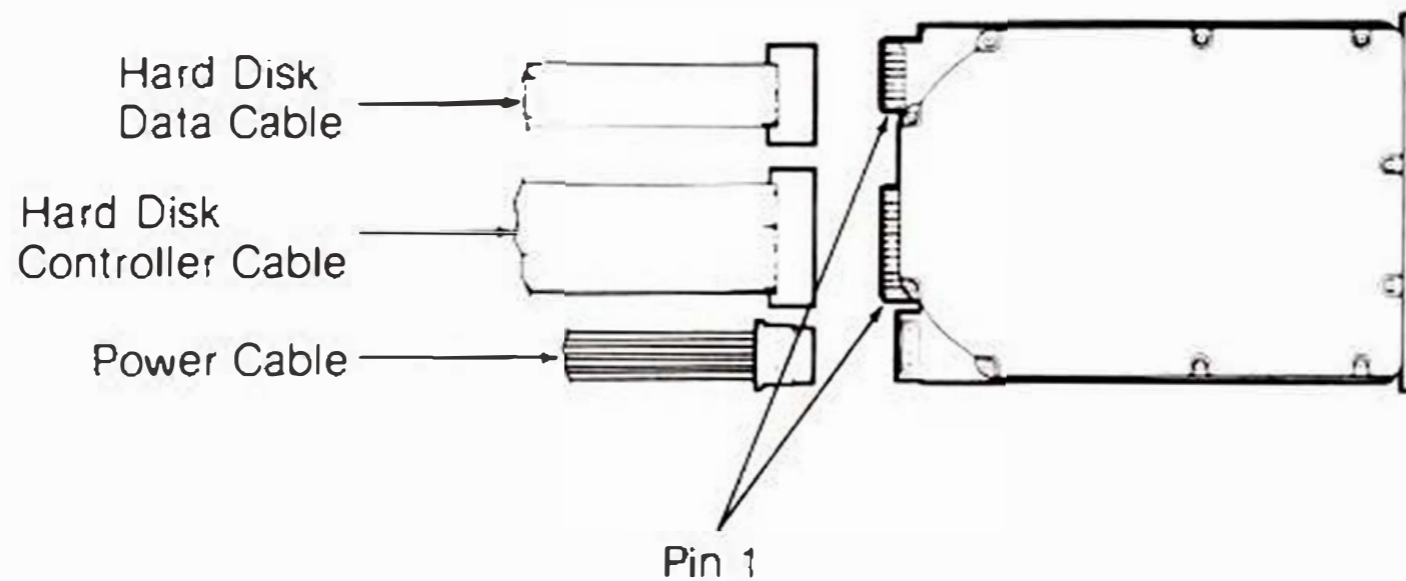
FLOPPY DISK DRIVE

On the back of the Atari PC floppy disk drive is a 34-pin connector for the floppy disk controller cable and a 4-pin connector for a power supply cable. The following illustration shows the floppy disk drive's connectors.



HARD DISK DRIVE

On the back of the Atari PC hard disk drive is a 34-pin connector and a 20-pin connector for the disk controller board cables, and a 4-pin connector for a power supply cable. The following illustration shows the hard disk drive's connectors.

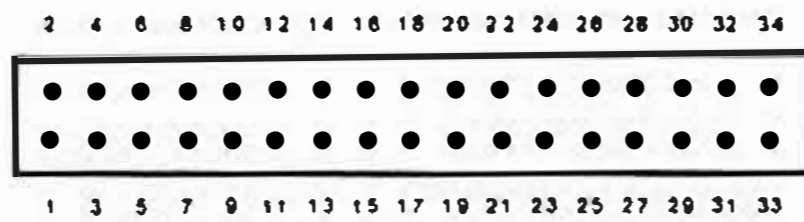


Note: For specific information about the Atari PC5 disk controller board, refer to the **Atari PC Disk Controller Board Owner's Manual**.

Floppy Disk Drive Specifications

Formatted Storage Capacity	1.2 megabytes
Number of Tracks	80
Sector Size	512 bytes
Data Transfer Speed (megabits) per second	500 kilobytes/second
Rotational Speed	360 rpm
Step Rate	Less than 6 milliseconds

FLOPPY DISK CONTROLLER CONNECTOR PINOUT



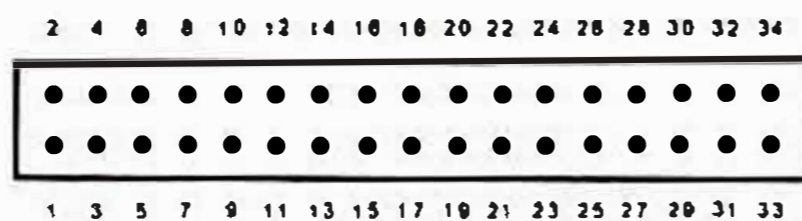
1	--	Ground	2	--	Unused
3	--	Ground	4	--	Unused
5	--	Ground	6	--	Drive Select 3
7	--	Ground	8	--	Index
9	--	Ground	10	--	Drive Select 0
11	--	Ground	12	--	Drive Select 1
13	--	Ground	14	--	Drive Select 2
15	--	Ground	16	--	Motor Enable
17	--	Ground	18	--	Direction (Stepper Motor)
19	--	Ground	20	--	Step Pulse
21	--	Ground	22	--	Write Data
23	--	Ground	24	--	Write Enable
25	--	Ground	26	--	Track 0
27	--	Ground	28	--	Write Protect
29	--	Ground	30	--	Read Data
31	--	Ground	32	--	Side Select
33	--	Ground	34	--	Disk Change Line

Hard Disk Drive Specifications

Formatted Storage Capacity	64,616,448 bytes
Disk Platters	3
Surfaces	6
Recording Heads	6
Cylinders	809
Number of Tracks	4854
Track Density (tracks per inch)	763
Data Format	RLL
Data Transfer Speed (megabits per second)	7.5
Rotational Speed	3600 rpm \pm 0.5%
Latency Time	8.33 ms
Seek Time (average)	61 ms
Power Consumption	18.1 Watts
Ambient Temperature Operating or Idle Storage	50 to 113° F (10 to 45° C) -40 to 135° F (-40 to 57° C)
Relative Humidity (operating, idle, or storage)	8 to 80% noncondensing
Altitude (from sea level) Operating	-200 to 10,000 ft. (-63 to 3,143 m)
Nonoperating	40,000 ft (12,572 m) maximum

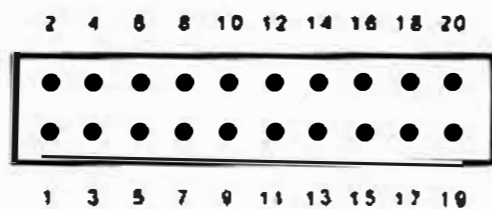
Start Time	22 seconds (typically) from power-up to ready
Stop Time	20 seconds from power-down
Shock	
Nonoperating	40 g
Operating	4 g

HARD DISK CONTROLLER CONNECTOR PINOUT



2 --	- Head Select 3	1 --	Ground
4 --	- Head Select 2	3 --	Ground
6 --	- Write Gate	5 --	Ground
8 --	- Seek Complete	7 --	Ground
10 --	- Track 0	9 --	Ground
12 --	- Write Fault	11 --	Ground
14 --	- Head Select 0	13 --	Ground
16 --	N/C	15 --	Ground
18 --	- Head Select 1	17 --	Ground
20 --	- Index	19 --	Ground
22 --	- Drive Ready	21 --	Ground
24 --	- Step	23 --	Ground
26 --	- Drive Select 0	25 --	Ground
28 --	- Drive Select 1	27 --	Ground
30 --	N/C	29 --	Ground
32 --	N/C	31 --	Ground
34 --	- Direction	33 --	Ground

HARD DISK DATA CONNECTOR PINOUT



- 1 -- Drive Selected
- 2 -- Ground
- 3 -- N/C
- 4 -- Ground
- 5 -- N/C
- 6 -- Ground
- 7 -- N/C
- 8 -- Ground
- 9 -- N/C
- 10 -- Ground
- 11 -- Ground
- 12 -- Ground
- 13 -- + Write Data
- 14 -- - Write Data
- 15 -- Ground
- 16 -- Ground
- 17 -- + Read Data
- 18 -- - Read Data
- 19 -- Ground
- 20 -- Ground

ATARI®

Copyright © 1988, Atari Corporation
Sunnyvale, CA 94086
All rights reserved.



C300520-001 Rev. A
Printed in Taiwan.

K. I. 10. 1988