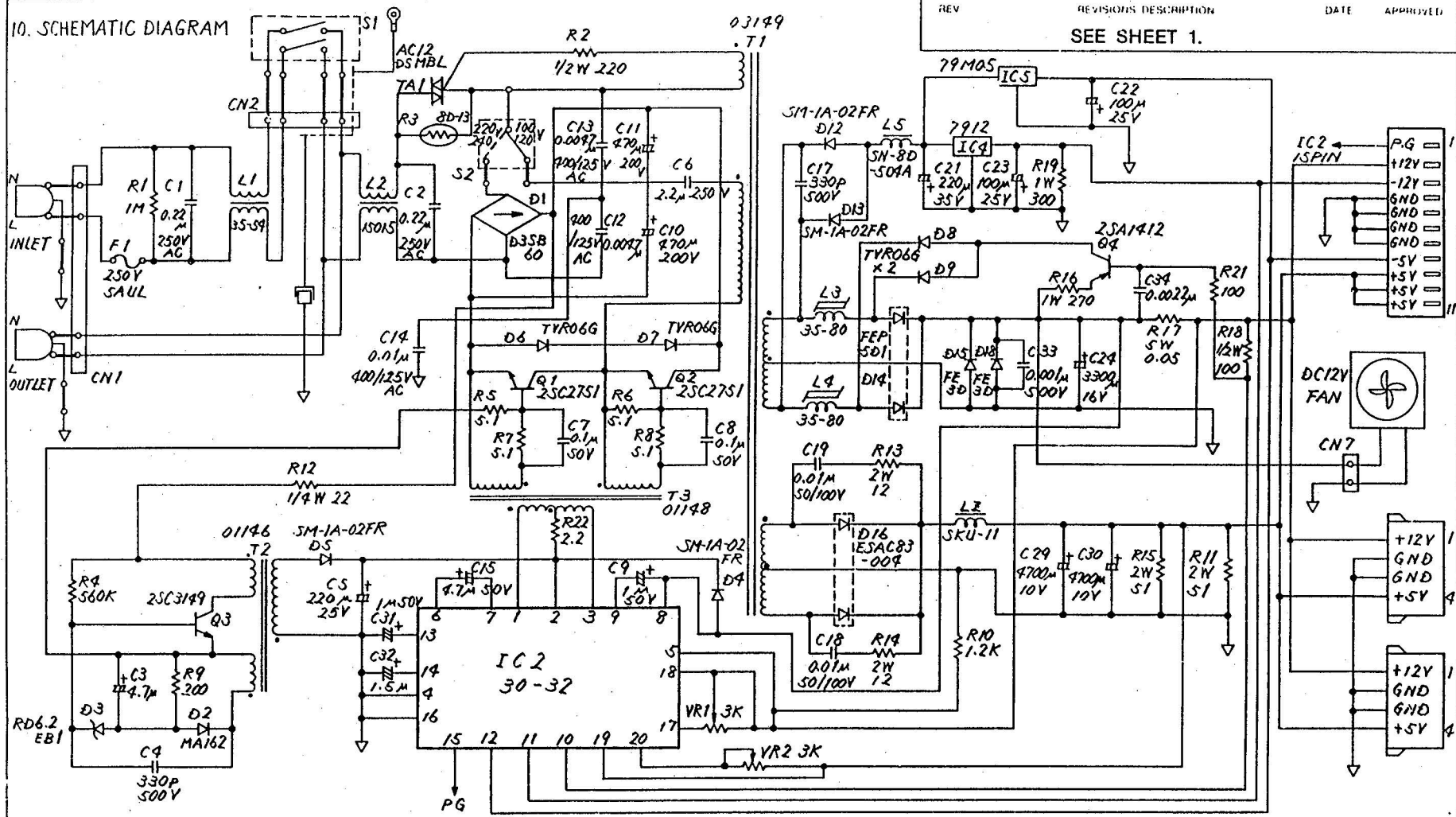


10. SCHEMATIC DIAGRAM



REV REVISIONS DESCRIPTION DATE APPROVED  
 SEE SHEET 1.

2. RESISTORS ARE MEASURED IN OHMS.  
 1. CAPACITORS ARE MEASURED IN FARADS.

NOTES—UNLESS OTHERWISE SPECIFIED

UNLESS OTHERWISE SPECIFIED TOLERANCES	ON LINEAR DIMENSIONS	ON ANGULAR DIMENSIONS
	UNDER 30 ±	30 THRU 300 ±
MATERIAL	FINISH	
NEXT ASSY	USED ON ORIGINAL MODEL	APPLICATION

DRAWN BY M. Yamamura	DATE 7-28-88
CHECKED K. Shinagawa	DATE 8-17-88
ENGINEER O. Shinagawa	DATE 8-17-88
APPROVED HHS	DATE 9/18/89
APPROVED S. OKASAKI	DATE 9/18/89



TITLE  
**POWER SUPPLY 130W**

SIZE DRAWING NO  
**B C103077-001 B**

SCALE NONE SHEET 8 OF 8