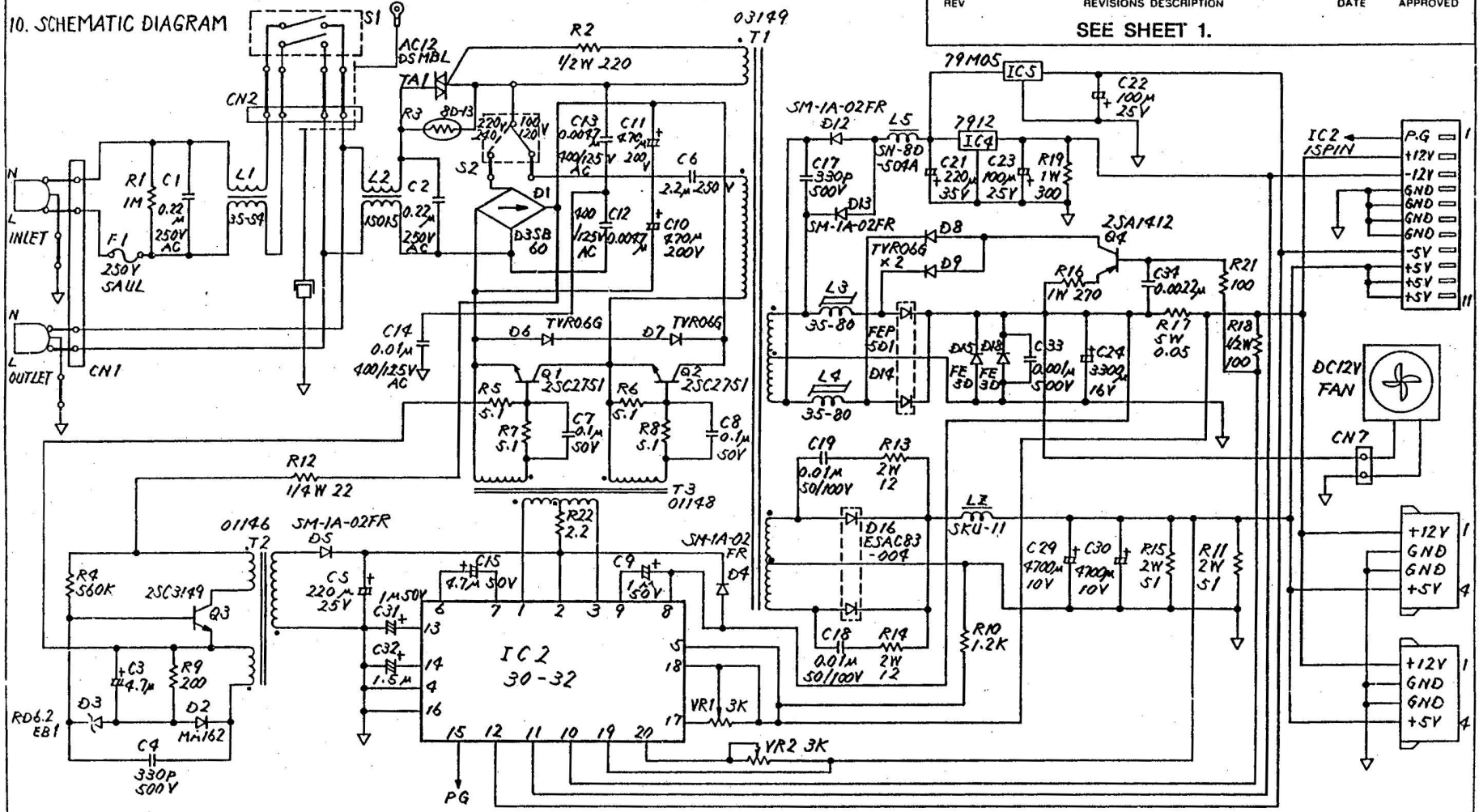


10. SCHEMATIC DIAGRAM



REV REVISIONS DESCRIPTION DATE APPROVED  
SEE SHEET 1.

2. RESISTORS ARE MEASURED IN OHMS.  
1. CAPACITORS ARE MEASURED IN FARADS.  
NOTES—UNLESS OTHERWISE SPECIFIED:

UNLESS OTHERWISE SPECIFIED TOLERANCES		DRAWN BY N. Taniguchi 7-28-88		DATE			
ON LINER DIMENSIONS	ON ANGULAR DIMENSIONS	CHECKED		DATE			
UNDER 30 ±		K. Kitegawa 8/11/88		DATE		TITLE POWER SUPPLY 130W	
30 THRU 300 ±		O. Shinagawa 8-17-88		DATE		SIZE DRAWING NO B C103077-XXX	
OVER 300 ±		APPROVED HHS 8/18/88		DATE		REV A	
MATERIAL		APPROVED S. Ogasaki 8/18/88		DATE		SCALE NONE	
NEXT ASSY	USED ON ORIGINAL MODEL	FINISH		DATE		SHEET 8 OF 8	
APPLICATION							