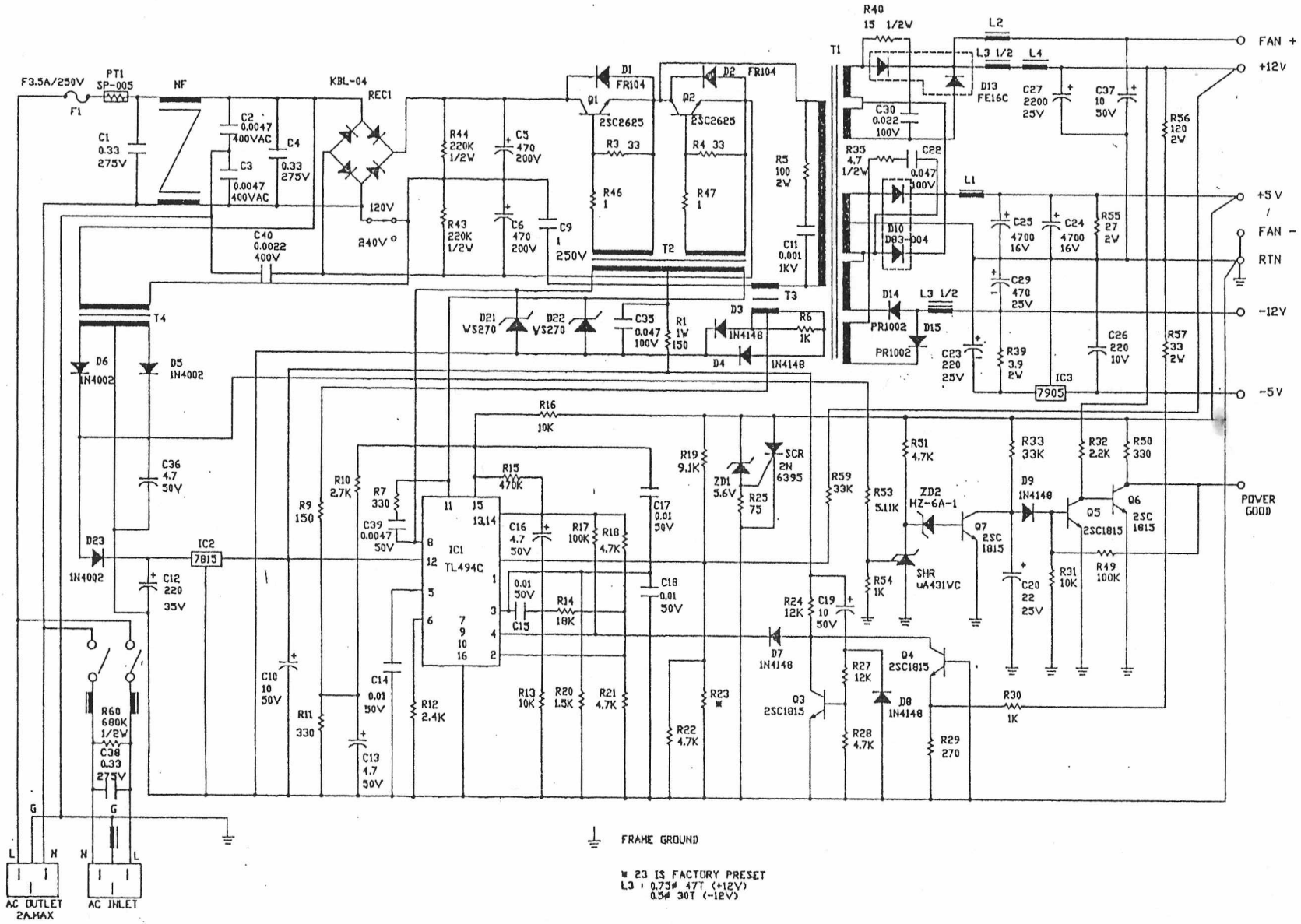


REVISIONS

A.	RC3,ADD C40	77.8.16
B.	RG1,ADD R60(ECN No00247)	77.12.19
C.	EB1 CANCEL 120V,240.5A-250V	78.1.28



FRAME GROUND

W 23 IS FACTORY PRESET
L3 : 0.75# 47T (+12V)
0.5# 30T (-12V)

PC3/4/5

GENERAL NOTES

1. ALL RESISTORS ARE 1/4W±5% UNLESS OTHERWISE INDICATED.
2. ALL RESISTORS ARE IN OHM AND CAPACITORS ARE IN UF UNLESS OTHERWISE INDICATED.

SCHEMATIC

MODEL PSA-1454A

DRAWN	AMY CHEN	78.1.30
DESIGN	<i>[Signature]</i>	
CHECKED	<i>[Signature]</i>	
APPROVED	<i>[Signature]</i>	
DRAWING NO.	PES-30238	REV.
		C